



HOT 2.6 N Premium AU

- › Provides instant access to boiling water
- › Compact, slim design with a mono tap
- › Saves energy with a programmable timer
- › Ensures safety with a childproof push-and-turn mechanism
- › Minimises energy losses with high-grade thermal insulation
- › Offers a long-lasting service life



HOT 2.6

UNDER SINK WATER BOILER

Introducing the HOT 2.6 - the perfect solution for those who need instant access to boiling water. Its compact, slim design with a brushed tap makes it a stylish addition to any kitchen. With its programmable timer, the HOT 2.6 saves energy and ensures you have hot water when you need it. Safety is also a top priority, with a childproof push-and-turn mechanism. The high-grade thermal insulation minimises energy losses, making it an energy-efficient choice. The HOT 2.6 is built to last, making it a reliable and long-lasting addition to any home or office.

Model	HOT 2.6 N Premium AU	
	203881	
Tank capacity	L	2.6
Rated output (230 V)	kW	1.6
Rated current (240 V)	A	7.3
Connection	1/N/PE	
Fuse protection	A	10 (16)
Electrical installation	As per AS/NZS3000	
Installation requirements	AS/NZS 3500.4.2	
Temperature settings	°C	95
Max. appliance permissible pressure	kPa	0
Standby energy consumption / 24 hours at 65°C	kWh	0.2
IP rating	IP24	
Height	mm	450
Width	mm	200
Depth	mm	145
Weight (incl. tap)	kg	4.9
Colour	White	
Approvals	UL/CSA/ IEC 60335-2-15 / Watermark (AU)	

The Hot 2.6 water boiler delivers hot water not exceeding 95°C in accordance with AS3498. Refer to AS/NZS3500.4.2 local requirements and installation instructions to determine if additional delivery temperature control is required.

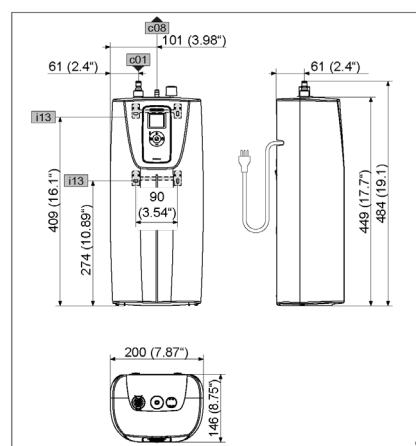


SNU HOT 2.6



Mono tap

Dimensions and Connections



HOT 2.6 N Premium	
c01	Cold water inlet
c08	Hot water outlet
i13	Wall mounting bracket
	Plug-in connector
	Grommet

WATER HEATER



STIEBEL ELTRON is committed to our policy of continual improvement, some features may have subsequently been changed or even removed. Our advisors will be happy to consult with you regarding the currently applicable equipment features. The images used in this data sheet are for reference only.